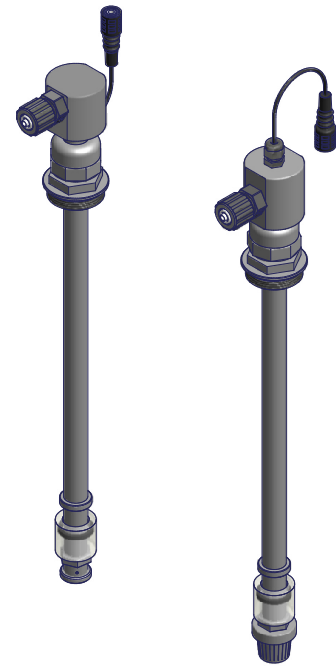


## FEATURES

- Level switch (double level probes available)
- Foot valve and foot filter
- Adjustable height
- 1 1/2" pipe fitting
- PVC body
- Output (1/2" fitting)
- Up to 2 suction input available



## SPECIFICATIONS

MODELS	
LASP4	LASP4 - For pumps up to 10l/h. Fittings 1/2"
LASP5	LASP5 - For pumps over 10l/h. Fittings 1/2"

O-RING	
V	FKM B
D	Ethylene Propylene

LENGTH cm	
040	40
063	63
075	75
108	108
122	122

FITTING AND HOSE	
3	1/2" and 4x6
4	1/2" and 6x8
5	1/2" and 8x12
A	1/2" and 8x10

INPUTS (suction)	
1	1
2	2

LEVEL - CONTACT - CONNECTOR	
0	Level - N.O. contact - BNC
1	Level - N.O. contact - without BNC
4	without level
5	2 levels at 20cm* - BNC
7	2 levels at 20cm* - without BNC
8	2 levels at 10cm* - BNC

\* Specify on order the distance between 2 levels.

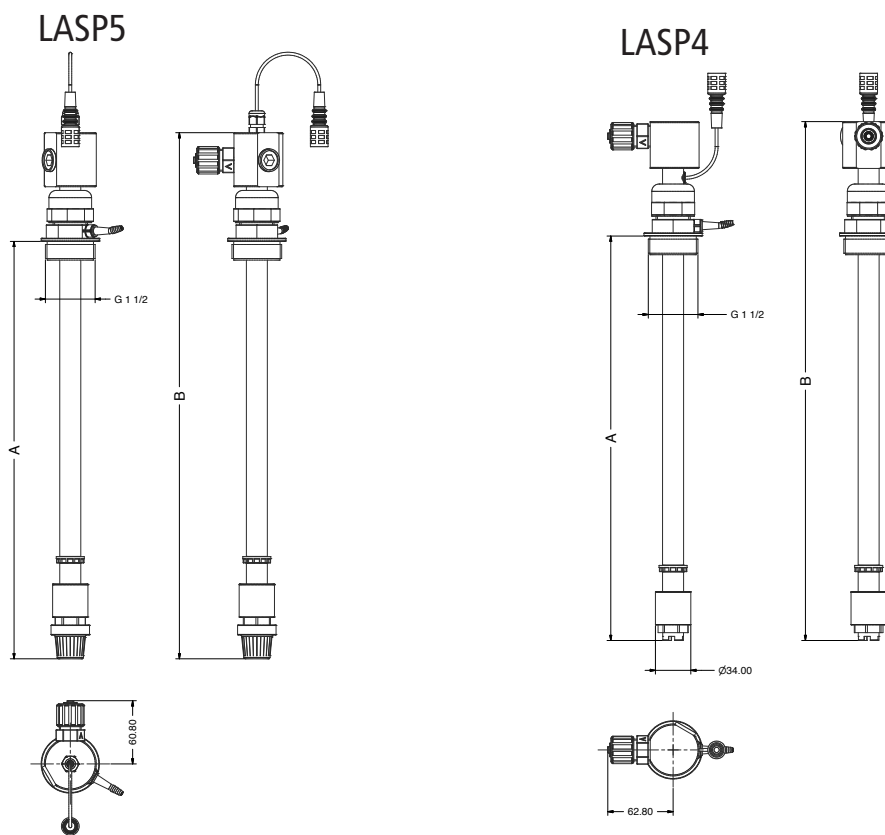
FILTER	
0	EMEC filter (LASP3)
1	ILMAP filter (LASP1)

Model	LASP4	V	040	0	1	0	0	3,5	1
-------	-------	---	-----	---	---	---	---	-----	---

## DIMENSIONS

OPERATING LENGHT	TANK VOLUME
40 cm	50 lt (mod. CNT PD 50)
63 cm	120 lt (mod. CNT PD 120)
75 cm	250 lt (mod. CNT PD 250)
108 cm	500 lt (mod. CNT PD 500)
122 CM	1000 lt (mod. CNT PD 1000)



LASP5	
A	B
400	505
630	735
750	855
1080	1185
1220	1345

LASP4	
A	B
400	510
630	740
750	860
1080	1190
1220	1330